

## K1S

### Shorter Behind Panel, Sealed, High Cycle Life, Rocker

The industry's smallest sealed, logic level rocker offering a 1M cycle life in a short behind panel, snap-in package. Available in both single and double pole configurations with maintained or momentary action, in either two or three positions. In addition, the K1S is available as a true ON-ON-ON rocker that is perfect for use as a Forward-Neutral-Reverse (FNR) switch. The double pole version offers redundancy for each switch state providing increased safety. Termination options include a Molex connector or wire leads.

The K1S contact system is sealed to IP68S and uses a flow-thru design. With the optional boot, the switch is panel sealed to IP68S. The rugged K1S is shorter behind panel than OTTO's K1 rocker series, making it an ideal choice for use in grips and panels. The K1S also consists of two rocker button style/size options for best user comfort. Only one panel opening size is required, regardless of button size. Choose from a set of 73 standard legend choices which are offered with both normal and large-size rocker top styles, or add a custom logo, lettering or legend.

#### Key Features:

- Shorter behind panel depth
- High cycle life, 1,000,000 cycles
- Switch contacts sealed to IP68S (panel sealed to IP68S with optional rubber boot for standard rocker only)
- Maintained or momentary action.
- Single or double pole.
- True ON-ON-ON triple throw switch options.
- Fits industry standard panel openings
- Logic level only
- 2 sizes of rocker styles, standard and large
- 2 termination types, connector and wire leads
- Choose from 73 standard legends per SAE or create your own
- RoHS compliant



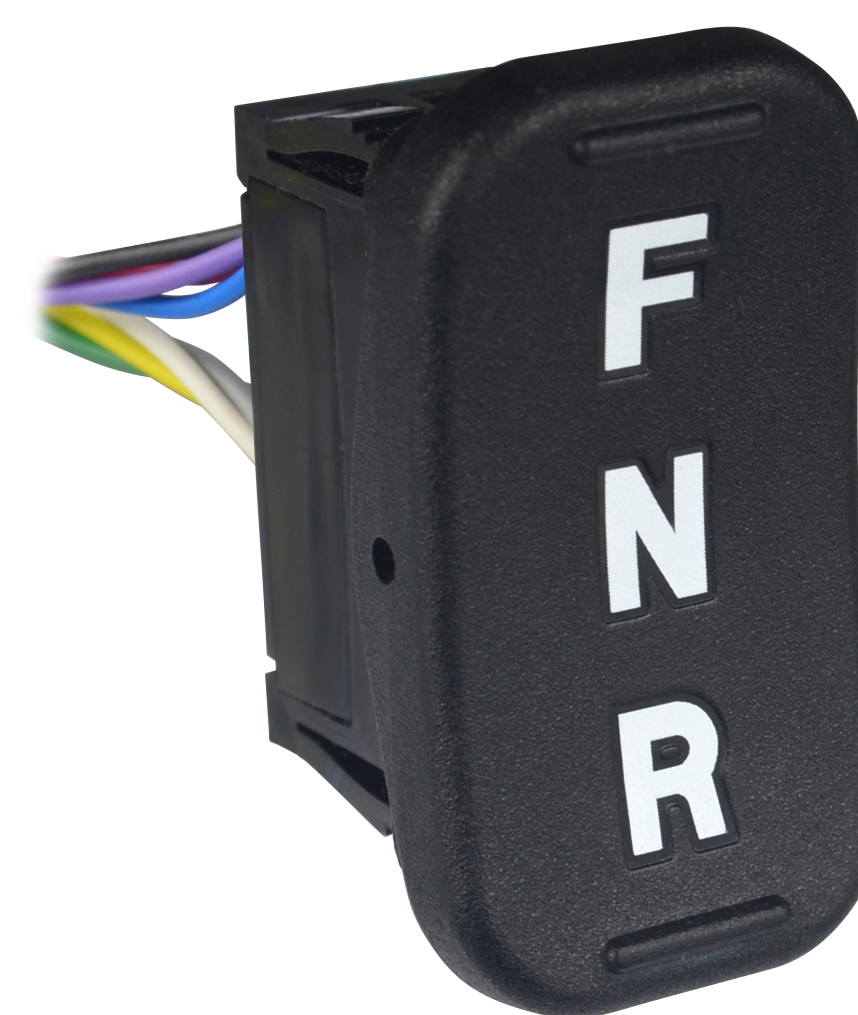
Standard Rocker with Optional FNR Legend



Standard Rocker



Standard Rocker



Large Rocker with FNR Legend



Two K1S Rocker Switches and a P9 Pushbutton Switch in a G3-C Grip

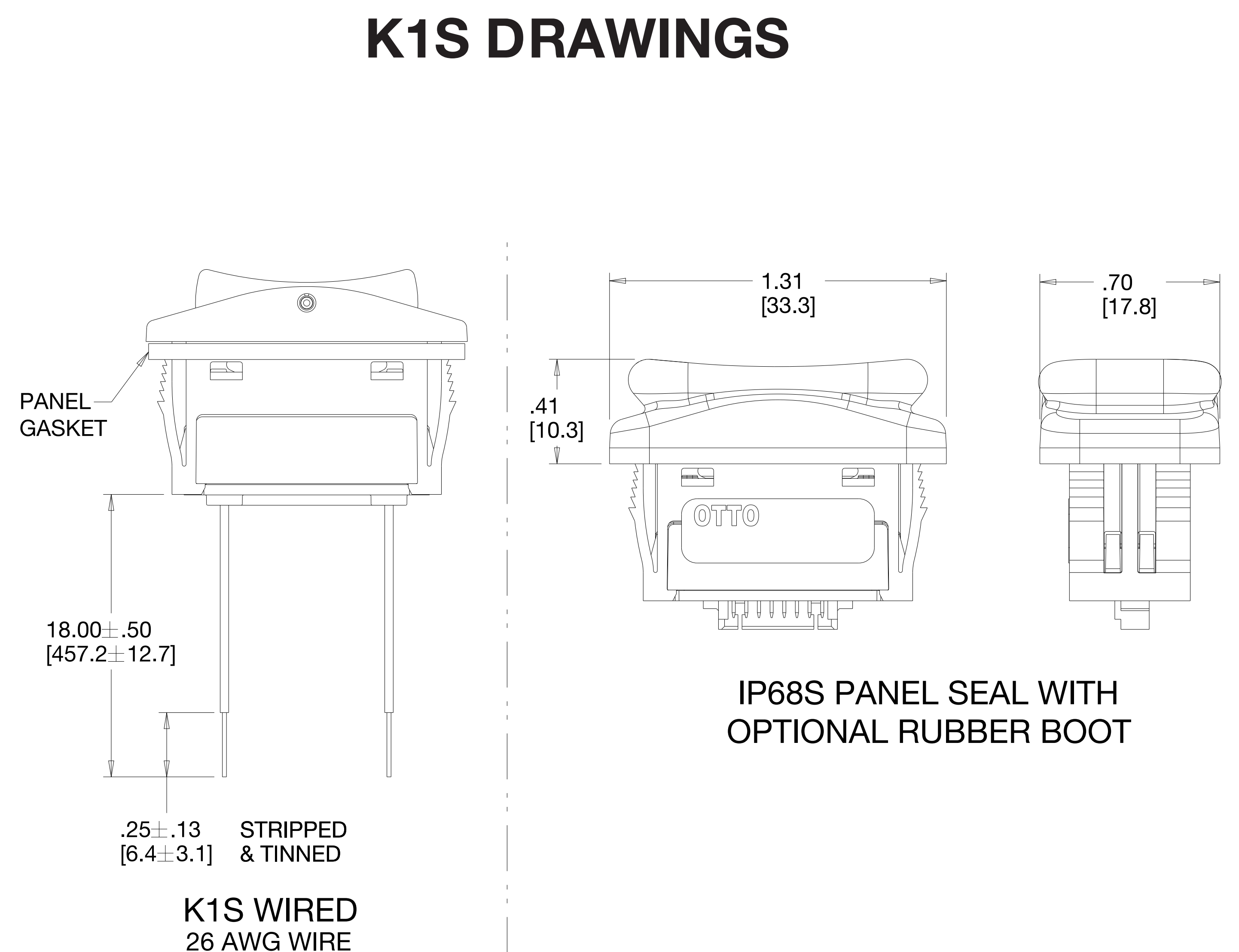
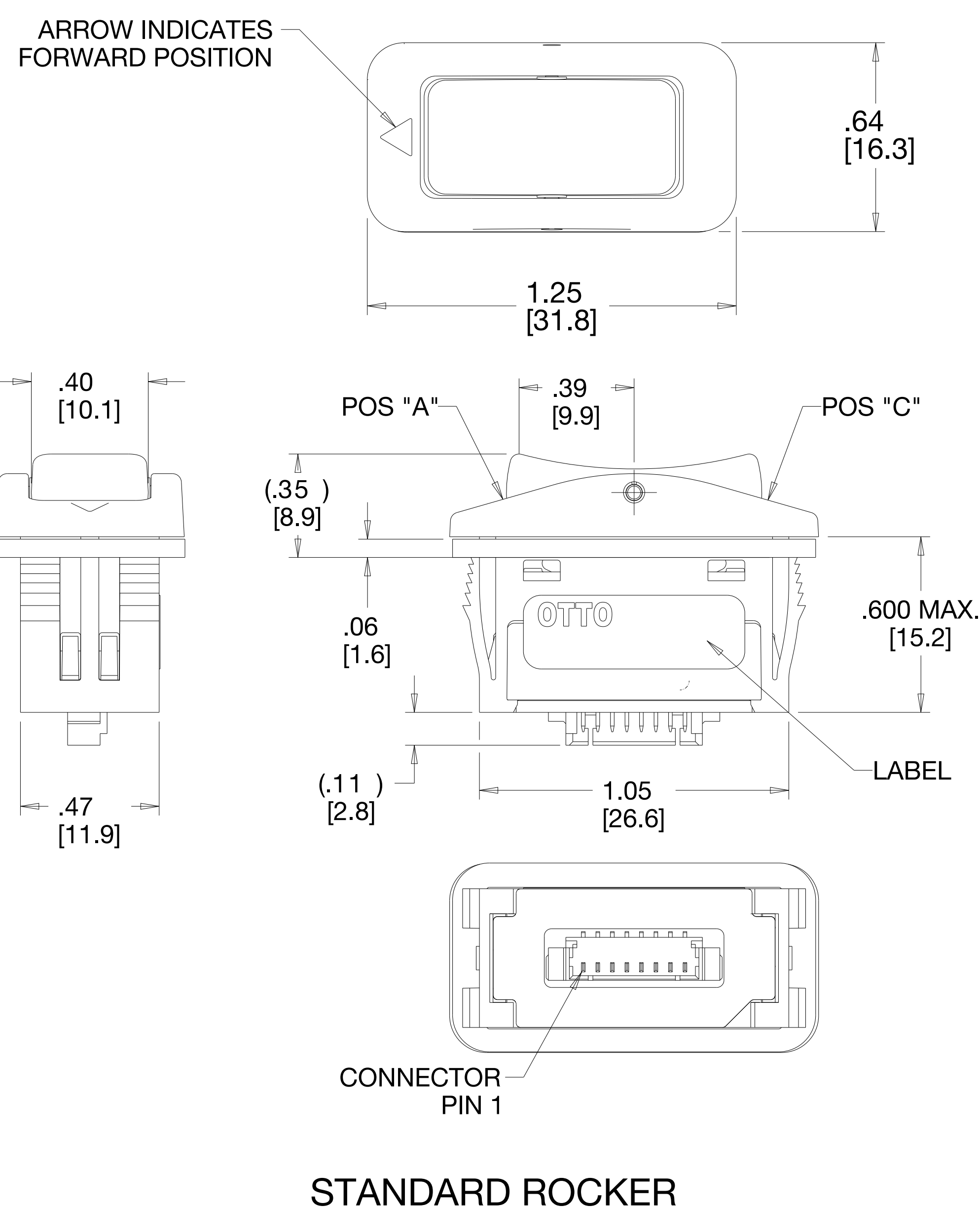
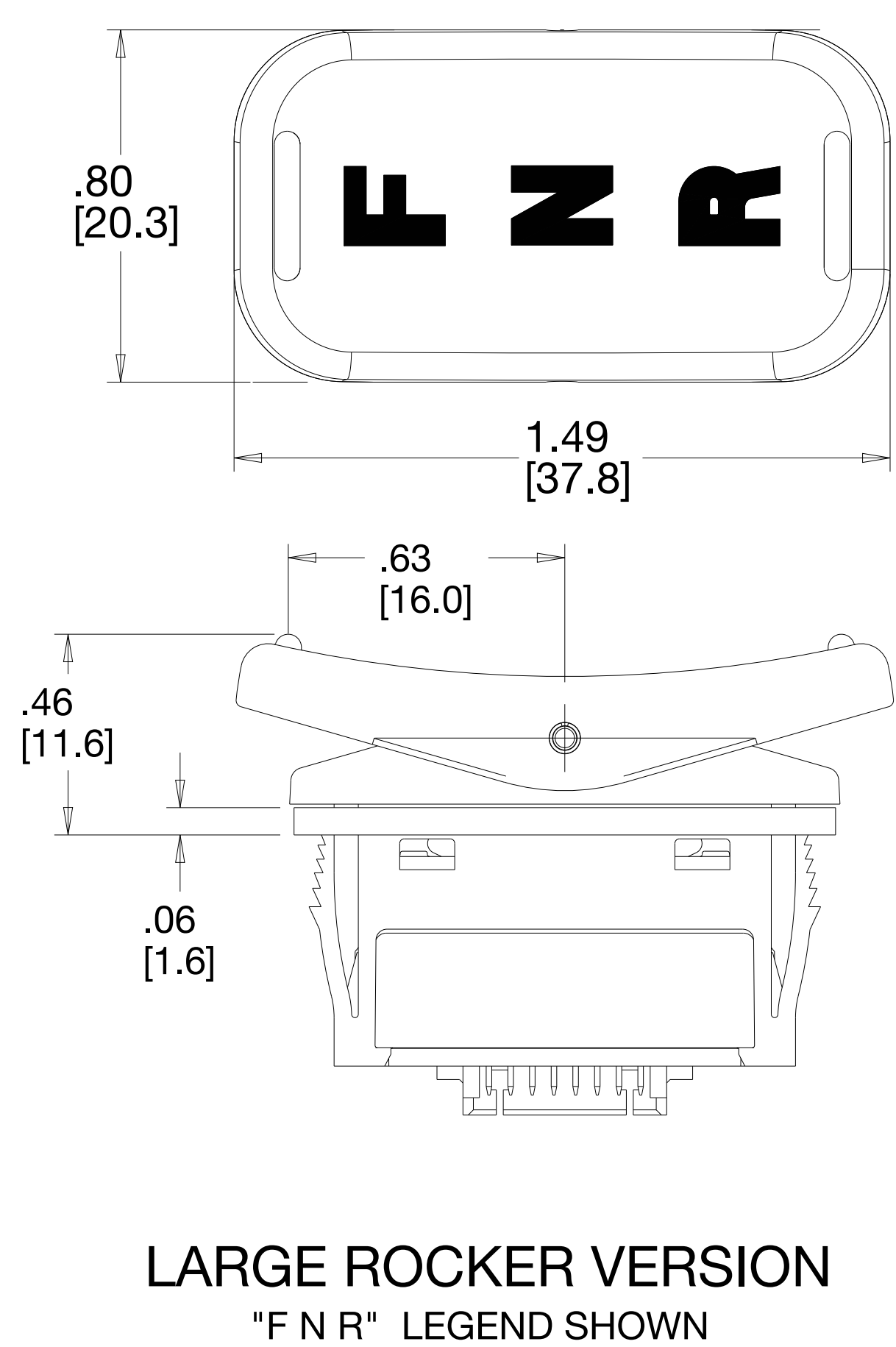


One K1S Rocker Switch and two P9 Pushbutton Switches in a G3-M Grip



Optional Rubber Boots in Clear and Black





## K1S DRAWINGS

IP68S PANEL SEAL WITH OPTIONAL RUBBER BOOT

## K1S PART NUMBER CODE

Part Number Code Continues Below

- K1S** | **X**
- Connection Style**
- ① A. 6 PIN Connector
  - ② B. 8 PIN Connector
  - ③ E. 18" Wires 26 AWG
  - ③ G. 18" Wires 24 AWG

- X**
- Rocker Color/Style**
- A. Red Rocker
  - B. Black Rocker
  - C. White Rocker
  - ④ D. Large Red Rocker
  - ④ E. Large Black Rocker
  - ④ F. Large White Rocker
  - G. Yellow Rocker
  - ④ H. Large Yellow Rocker
  - ⑤ J. Large Black Rocker with FNR Legend (White)
  - ⑤ K. Large Yellow Rocker with FNR Legend (Black)
  - M. Red Rocker with Translucent Boot
  - N. Black Rocker with Black Boot
  - P. Black Rocker with Translucent Boot
  - T. White Rocker with Translucent Boot
  - V. Yellow Rocker with Translucent Boot
  - ⑤ W. Large Orange Rocker with FNR Legend (Black)

**X**

**Switch Action / Circuit**

Position "A"	Position "B"	Position "C"	Circuit
A. ON	NONE	OFF	SPST
B. ON	NONE	ON	SPDT
C. *(ON)	NONE	OFF	SPST
D. *(ON)	NONE	ON	SPDT
E. ON	OFF	ON	SPDT
F. *(ON)	OFF	*(ON)	SPDT
G. *(ON)	OFF	ON	SPDT
H. ON	ON	ON	SPTT
J. ON	NONE	OFF	DPST
K. ON	NONE	ON	DPDT
L. *(ON)	NONE	OFF	DPST
M. *(ON)	NONE	ON	DPDT
N. ON	OFF	ON	DPDT
P. *(ON)	OFF	*(ON)	DPDT
R. *(ON)	OFF	ON	DPDT
T. ON	ON	ON	DPTT
U. *(ON)	ON	*(ON)	SPTT
V. *(ON)	ON	*(ON)	DPTT

- XX** | **XX** | **XX**
- Legend Style**
- Position "A" ZZ. No Legend
  - Position "B" ZZ. No Legend
  - Position "C" ZZ. No Legend

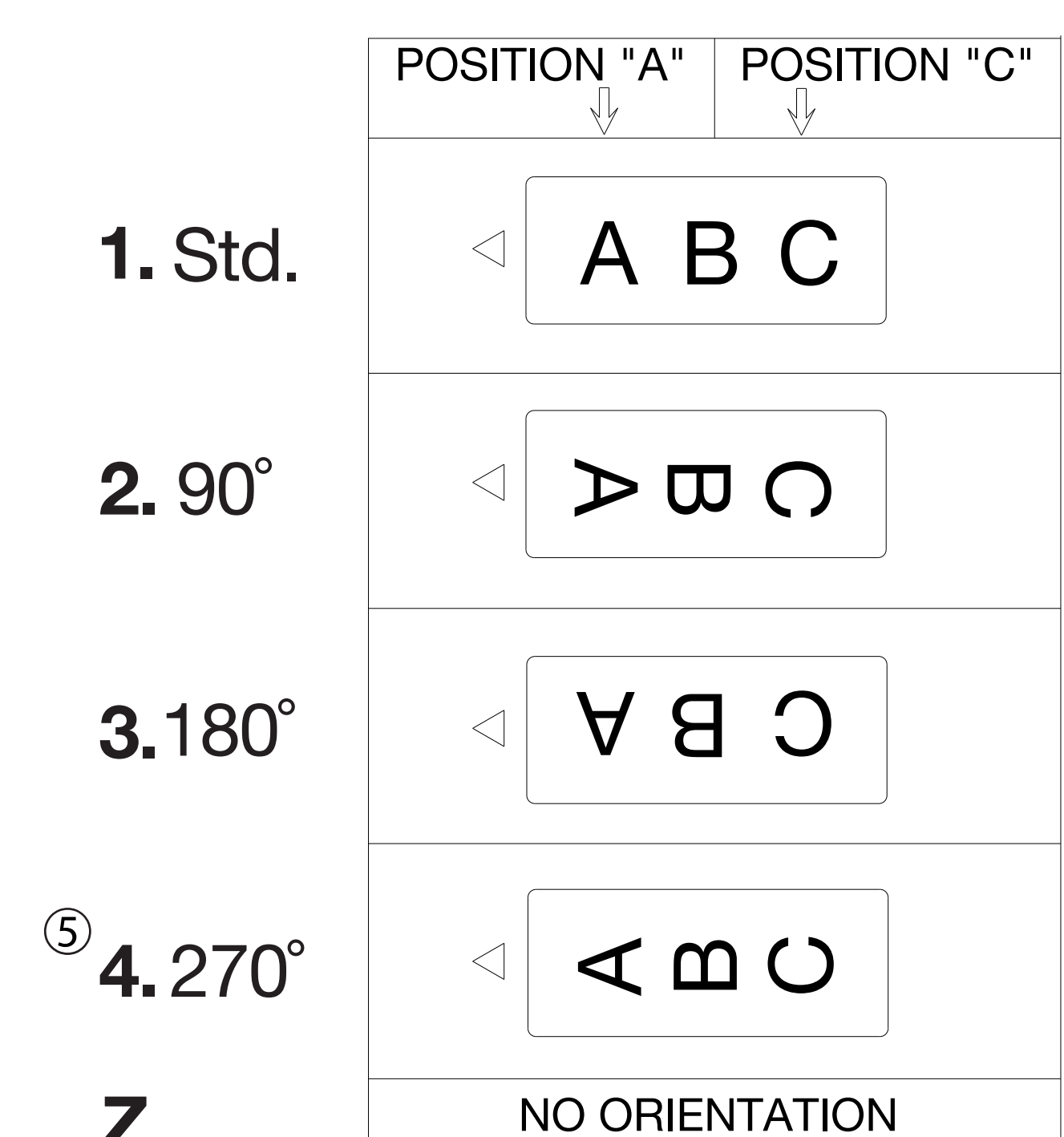
NOTE: For all other Legend Options, refer to Standard SAE Legends.

## K1S PART NUMBER CODE -

Continued From Above

- XXX**
- Legend Color\***
- Position A / B / C**
- 1. Red
  - 2. Black
  - 9. White
  - Z. No Legend

- X**
- Legend Orientation**



### Attributes:

- ① Mating Connector: MOLEX 51021-0600
- ② Mating Connector: MOLEX 51021-0800
- ③ Unless otherwise specified, all dimensions are in inch [metric]. In the event of a conflict, the inch nominal value and tolerance will take precedence.
- ④ Rubber boot not available.
- ⑤ Legend Styles are not available, fixed at Legend Orientation #4.

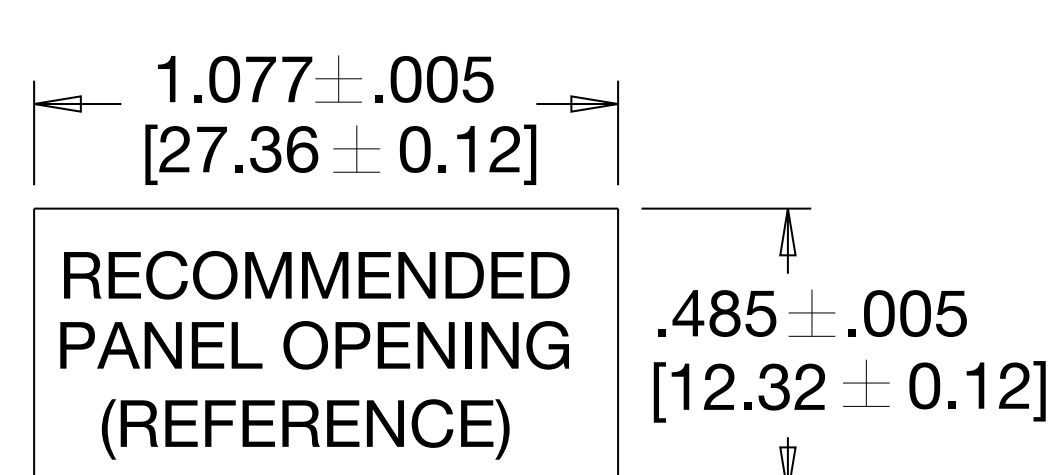
\*( ) Denotes Momentary Action

\* Legend color cannot be same color as button color. (i.e. Red Button color cannot have Red Legend color).

## PANEL THICKNESS AND MOUNTING OPENING GUIDELINES

PANEL THICKNESS: .086 ± .003 [2.18 ± 0.08]

PANEL OPENING:



GASKET INCLUDED

## OPTIONAL BOOT PART NUMBER

- C405810-25-12 (Translucent)
- C405810-25-2 (Black)